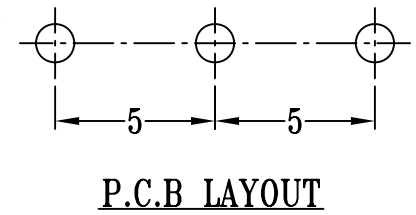
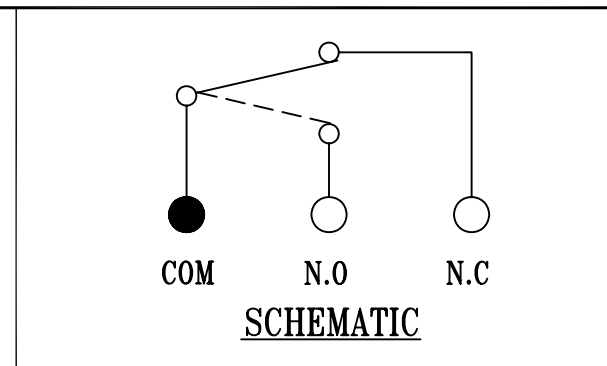
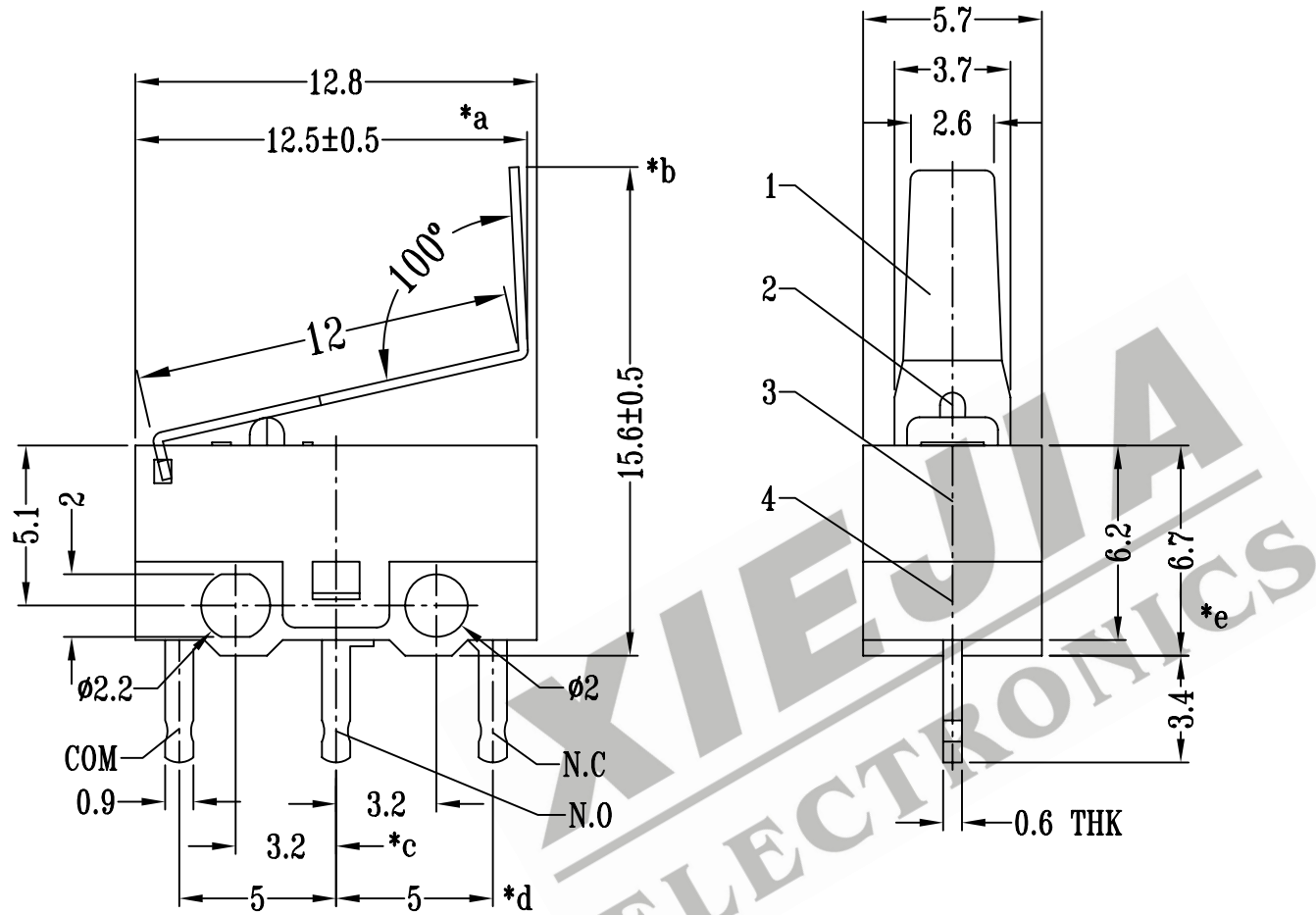


CAD FILE:



10	SPRING	PBS STRIP	1	NATURAL
9	CONTACT B	SILVER	1	NATURAL
8	CONTACT A	SILVER	1	NATURAL
7	TERMINAL(COM)	BRASS STRIP	1	Ag PLATED OVER Ni PLATED
6	TERMINAL(N.O)	BRASS STRIP	1	Ag PLATED OVER Ni PLATED
5	TERMINAL(N.C)	BRASS STRIP	1	Ag PLATED OVER Ni PLATED
4	CASE	PBT/BRASS STRIP	1	WHITE/Ag PLATED OVER Ni PLATED
3	COVER	PC	1	BLACK
2	KNOB	POM	1	BLACK
1	STEEL KNOB	STAINLESS STEEL	1	NATURAL
NO.	PART NAME	MATERIAL	Q'TY	FINISHING

TOLERANCE UNLESS SPECIFIED	SHENZHEN XIEJIA ELECTRONICS CO.,LTD.			
	WITHIN: 1.5±0.1mm	ISSUE	DATE	DESCRIPTIONS
OVER : 1.5±0.2mm			APPD.	
TITLE : MICRO SWITCH		UNIT : MM	DRWG NO.: XJ-DR-MX1386-00	
MODEL: MX-1386		SCALE: 4:1	DWN.	ZHOUYU 2004-11-5
ALL MATERIALS MUST BE COMPLIANT TO ROHS			CHK'D	FANGYING 2004-11-5
			APPD.	KANGXINAN 2004-11-5

注:带"\*"表示关键尺寸(5个)